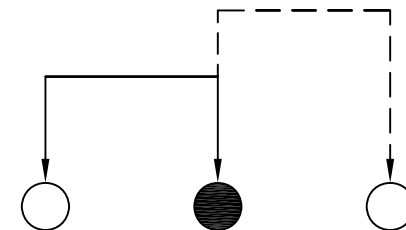
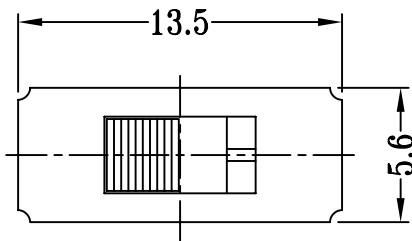
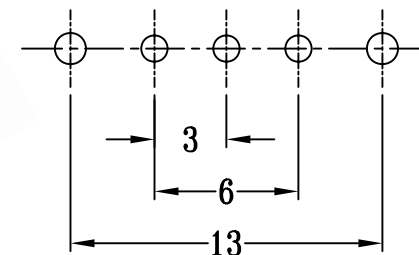
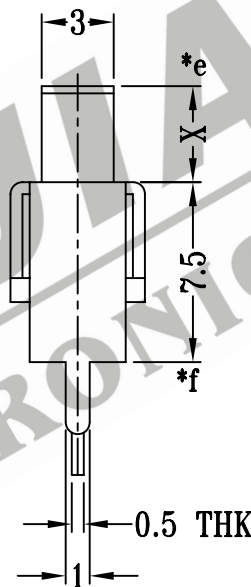
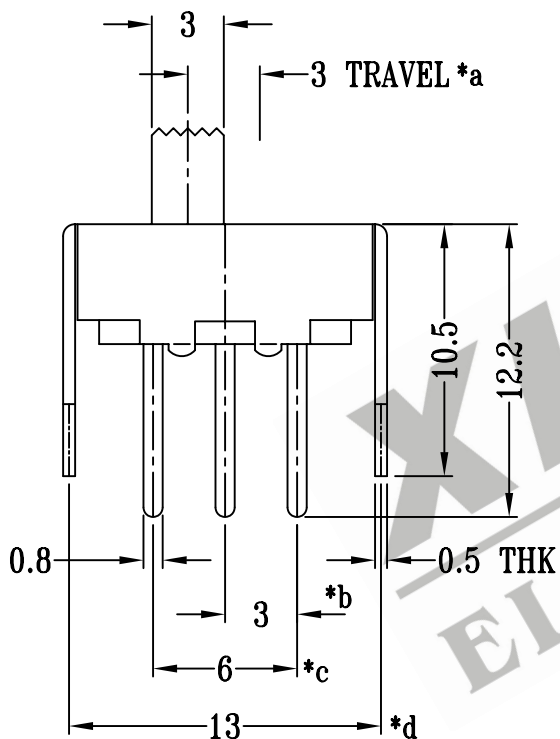


CAD FILE:



SCHEMATIC (NON-SHORTING)



P.C.B LAYOUT

注:带"*"表示关键尺寸(6个)

8					TOLERANCE UNLESS SPECIFIED	SHENZHEN XIEJIA ELECTRONICS CO.,LTD.				
7										
6	CONTACT CLIP	COPPER STRIP	1	Ag PLATED	WITHIN: 1.5±0.1mm OVER: 1.5±0.2mm	ISSUE	DATE	DESCRIPTIONS OF REVISION		APPD.
5	SPRING	STEEL WIRE	1	TEMPER						
4	TERMINAL	BRASS STRIP	3	Ag PLATED OVER Ni PLATED	TITLE : VERTICAL SLIDE SWITCH	UNIT : mm	DRWG NO.: XJ-DR-SS12F87-00			
3	BASE	PHENOLIC RESIN	1	NATURAL			MODEL: SS-12F87	SCALE: 3 : 1	DWN.	ZHOUYU
2	FRAME	STEEL STRIP	1	Ni PLATED	ALL MATERIALS MUST BE COMPLIANT TO ROHS	APPD.			CHK'D	FANGYING
1	KNOB	POM	1	RED			APPD.	KANGXINAN	2004-6-30	
NO.	PARTS	MATERIALS	Q'TY	FINISH						